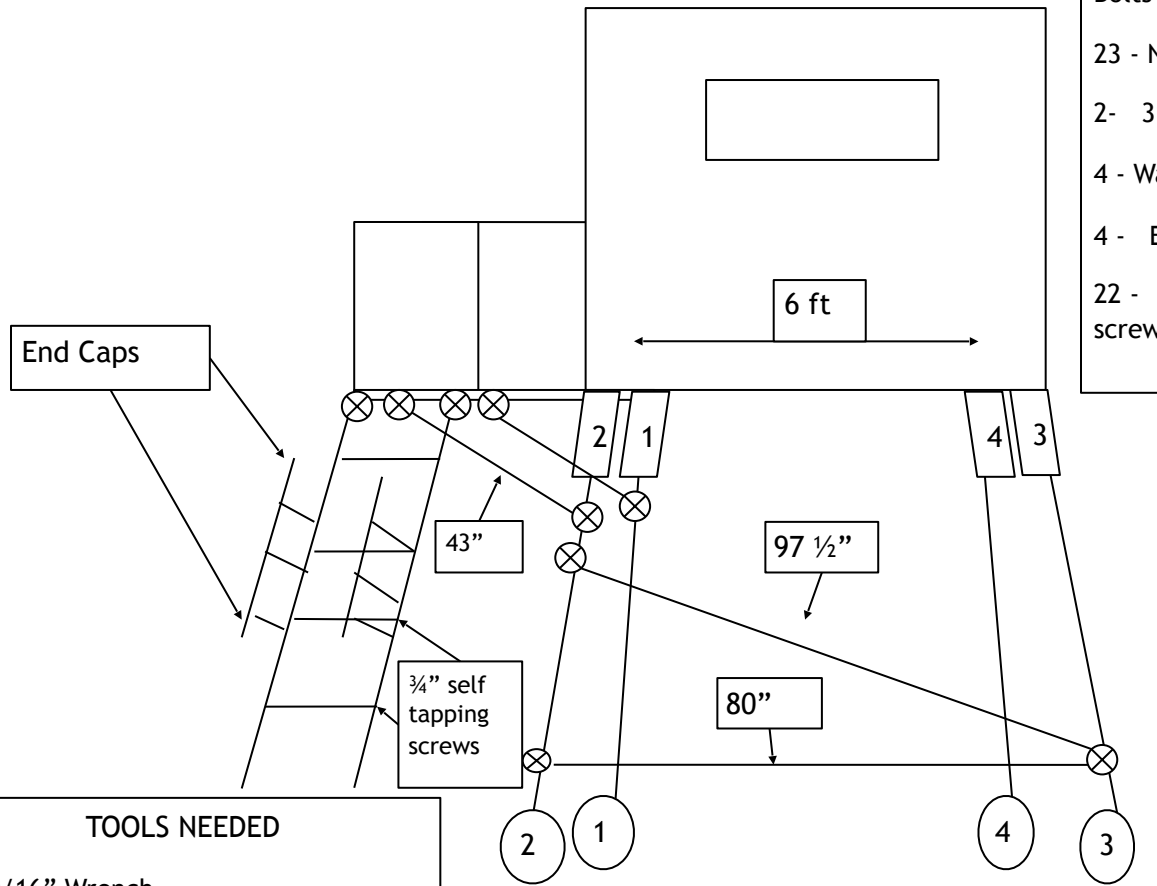


6 x 8 - 10 Ft. Stand

- 21- 1 1/4" x 3/8" Bolts
- 23 - Nuts
- 2- 3" x 3/8" Bolts
- 4 - Washers
- 4 - End Caps
- 22 - 3/4" self tapping screws (brown)

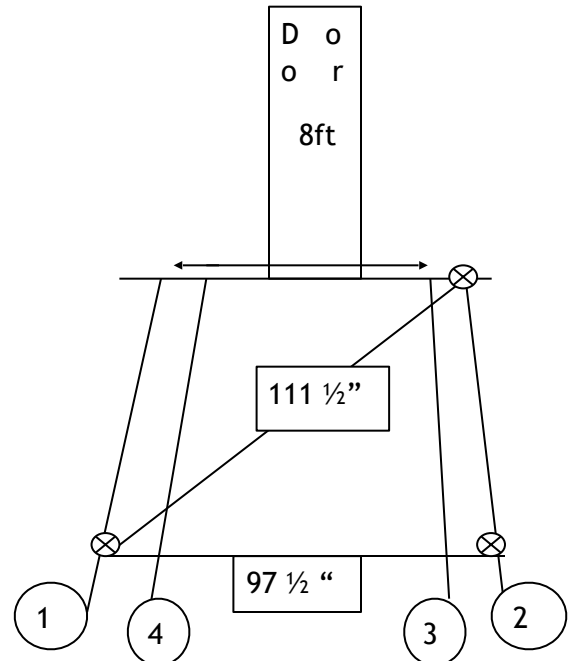


TOOLS NEEDED

- 9/16" Wrench
- 9/16" Socket and Ratchet
- 3/8 and 5/16 Hex Tips

Braces: 2 - 80", 4 - 97 1/2", 2 - 111 1/2" & 2

- Raise blind and slide in Legs (Make sure leg is in all the way)
- Lower 2" Off Ground
- Install All Braces (Leave Loose)
- Set blind on Level surface
- Pull out on All Legs to Settle The Blind
- Tighten All Bolts
- Raise Platform Install 5- 3/8" Bolts
- Install 43" braces from leg #1 & #2 to Platform using 3/8"



8 ft side Base measurement from leg #1 to leg #2 & Leg #3 to Leg #4 - 122"