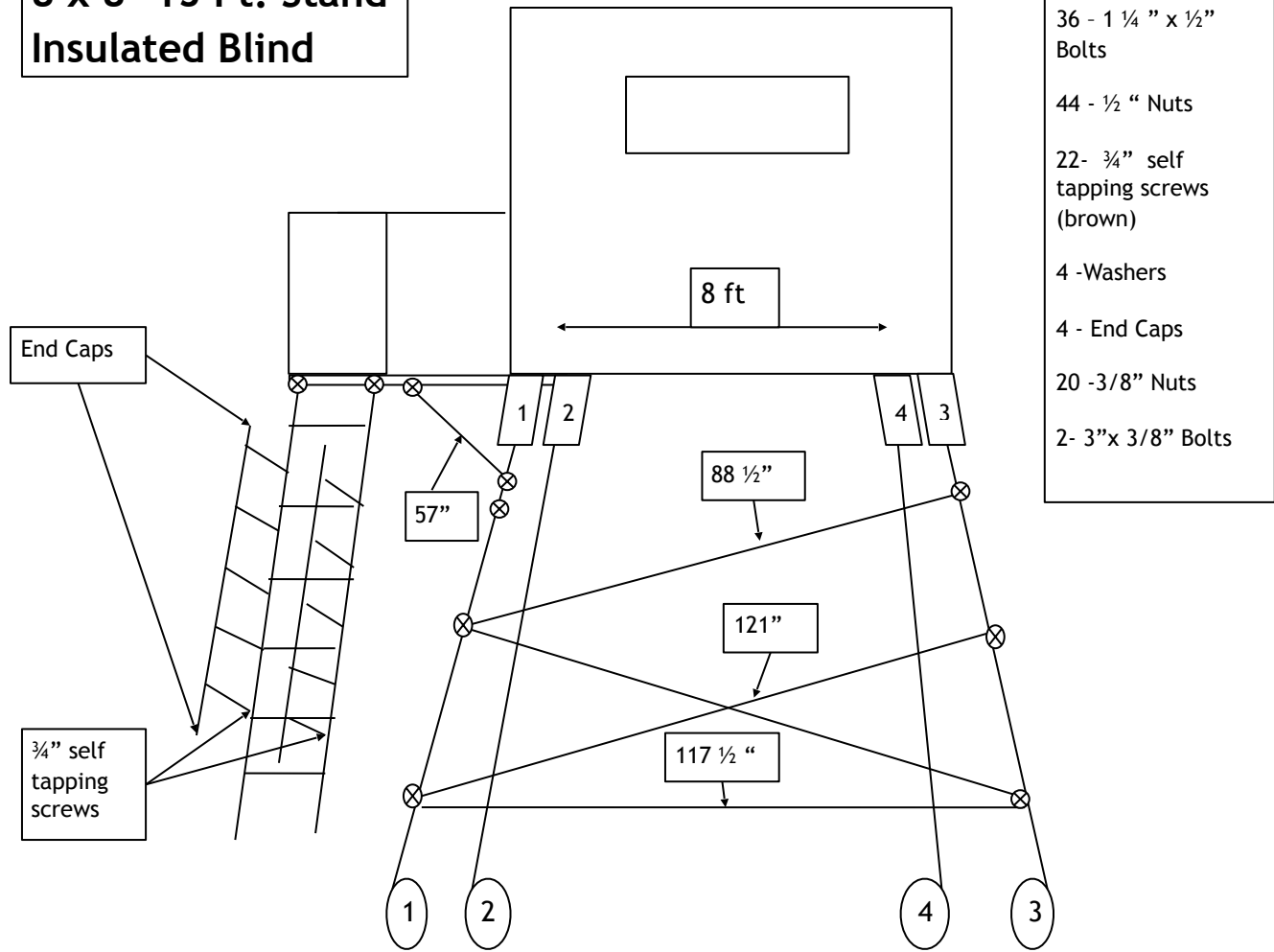


# 8 x 8 -15 Ft. Stand Insulated Blind



- 36 - 1 ¼ " x ½ " Bolts
- 44 - ½ " Nuts
- 22- ¾" self tapping screws (brown)
- 4 - Washers
- 4 - End Caps
- 20 - 3/8" Nuts
- 2- 3"x 3/8" Bolts

For Slab: 136 ½" Center leg to Center Leg

**Braces: 2 - 57", 4 - 88 ½ , 8 - 121" & 4 -**

- Raise blind and slide in Legs (Make sure leg is in all the way)
- Lower 2" Off Ground
- Install All Braces (Leave Loose)
- Set blind on Level surface
- Pull out on All Legs to Settle The Blind
- Tighten All Bolts
- Raise Platform Install 5- 3/8" Bolts
- Install 57" braces from leg#1 & #2 to Platform using 3/8" bolt.

- TOOLS NEEDED**
- 3/4" Wrench
  - 3/4" Socket and Ratchet
  - 5/16 Hex Tips
  - Cordless Drill